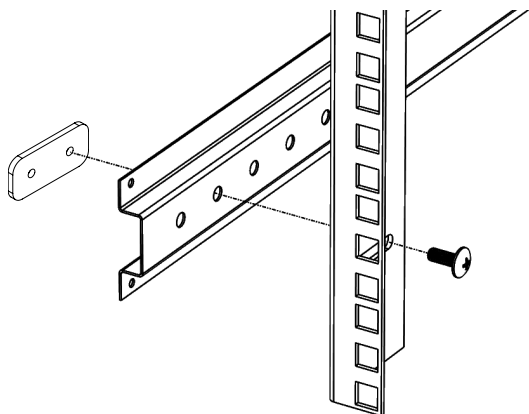


Adjusting the Rail Depth



- a. Unscrew the rail from the rail support. Move the rail forwards or backwards to desired location. Insert screw and secure.

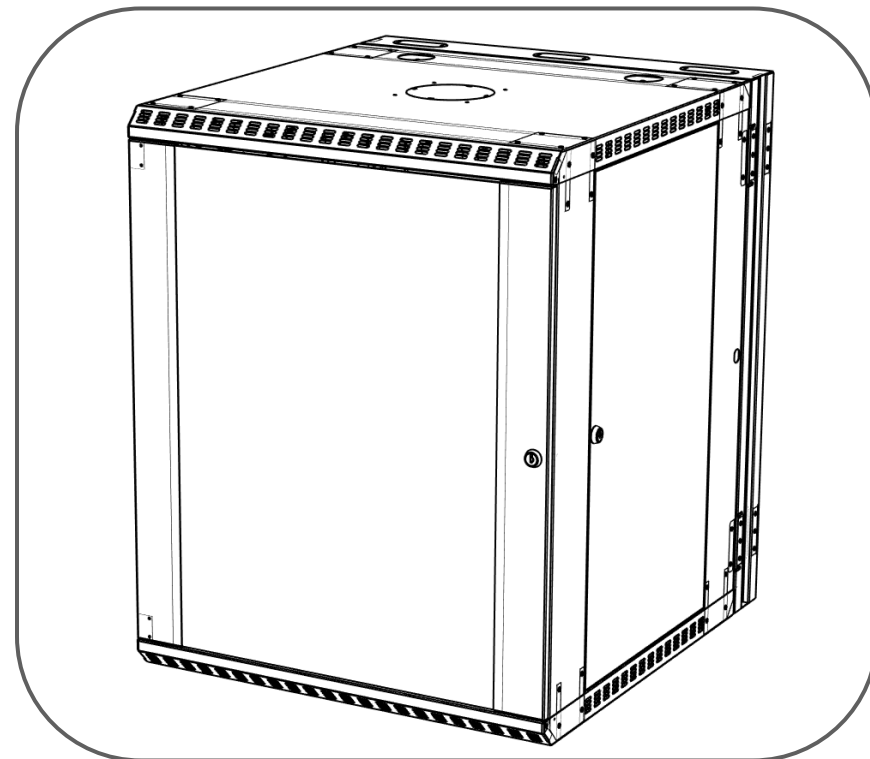


For details about product warranty, please visit www.kendallhoward.com

DISCLAIMER: Kendall Howard LLC. endeavors to make this manual accurate and complete. However, Kendall Howard LLC makes no representations or warranties of any kind, expressed or implied, about whether the use of products contained herein would infringe any rights or the correctness, accuracy or reliability of the information contained herein or that said information covers all details, conditions or variations. The information herein does not provide for every possible contingency in connection with the installation or use of the product(s). The information contained in this document is subject to change without notice or obligation. Kendall Howard LLC assumes no responsibility for the accuracy, completeness or reliability of the information contained in this document. Any reliance placed on the information is therefore strictly at your own risk.

LINIER™ 15U Swing-Out Wallmount Cabinet

3130-3-001-15



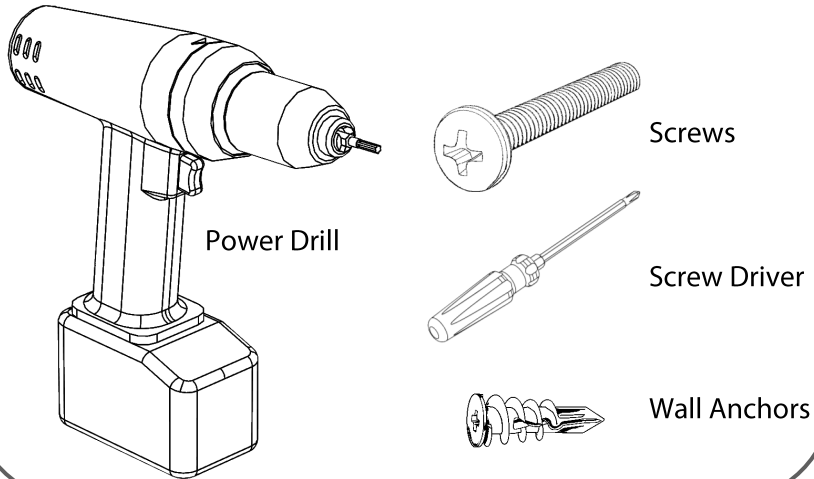
Address: 10152 Liberty Lane
Chisago City, Minnesota, 55013
United States of America

Phone: 651-213-1333

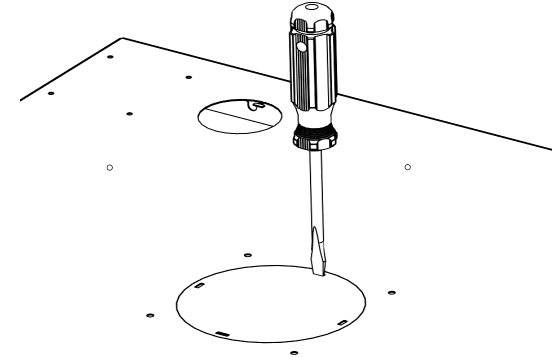
Fax: 800-418-6897

www.kendallhoward.com

Tools/Hardware Needed:

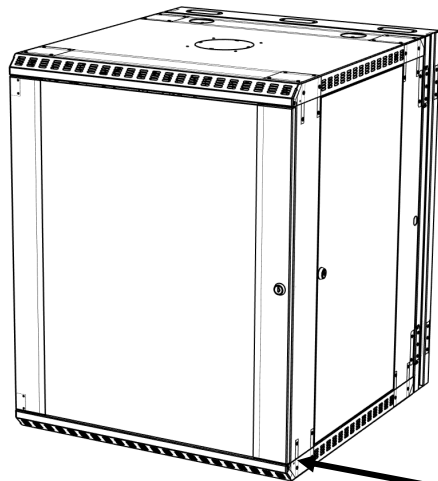


Removing Knock-outs



- Insert a flat head screw driver into the small opening at the edge of the knock-out.
- Pry upwards and twist until insert breaks free.

Included:

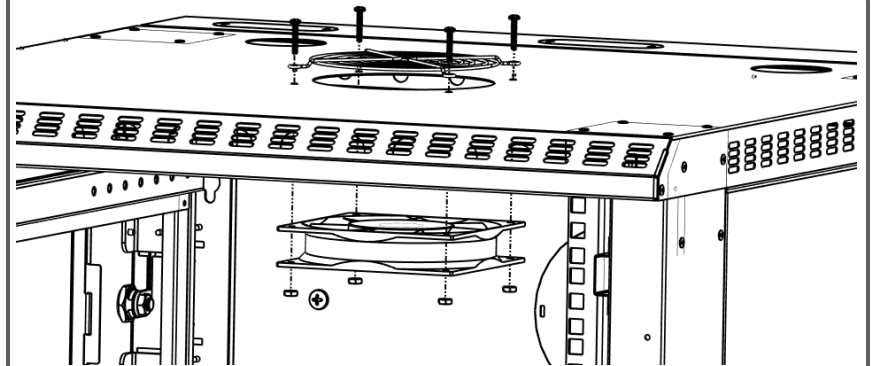


(1) 15U Swing-out
Wallmount Cabinet

**Plastic bushing can be removed from the bottom pan of keyed side. This is inserted to help support the door during shipping, but is not needed once the cabinet is installed.

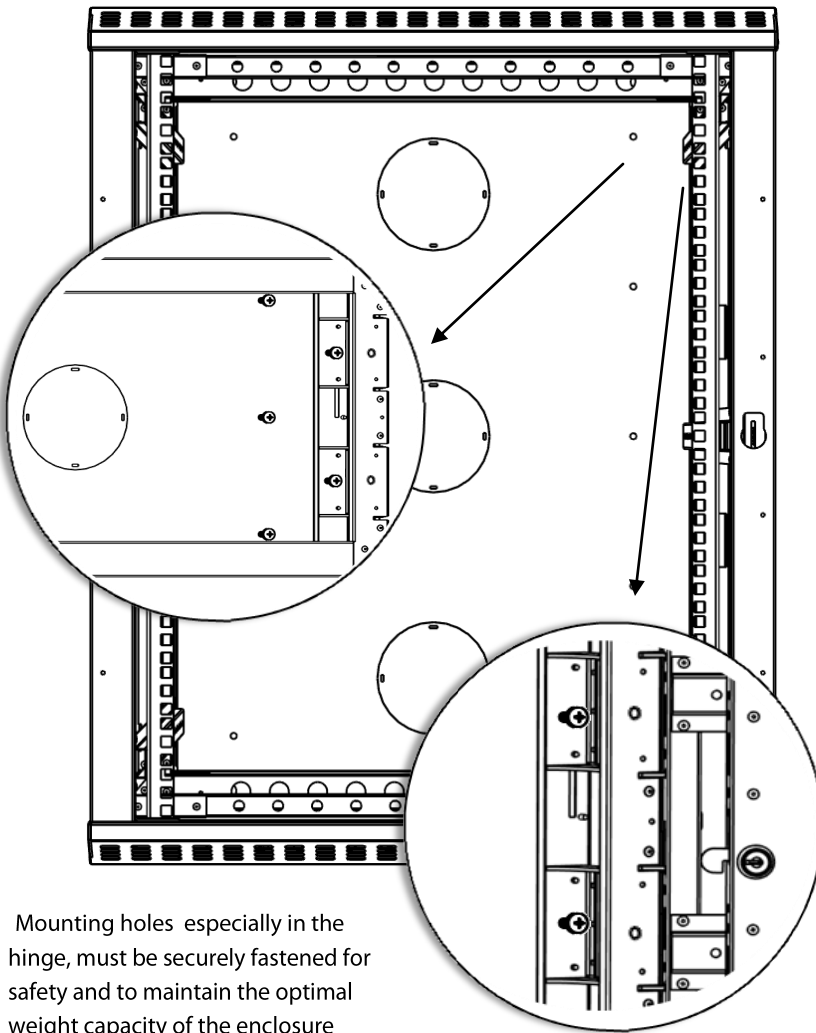
Mounting hardware is
NOT included

Installing Optional Fan Kit



- Place the fan on the underside of the top panel, and the fan guard on the top.
- Line up holes.
- Insert screws through the fan guard, top panel, and fan, and secure nuts.

Assembly - Step 4:



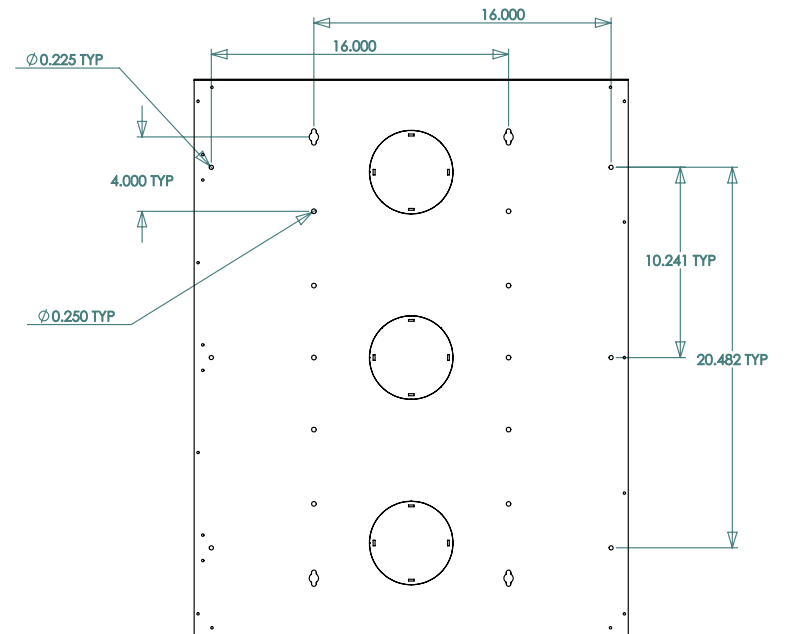
Mounting holes especially in the hinge, must be securely fastened for safety and to maintain the optimal weight capacity of the enclosure

- a. Finish installing the enclosure by securing screws along the inner mounting pattern and through the hinges.

Mounting hardware needs to be secured through the hinges

6

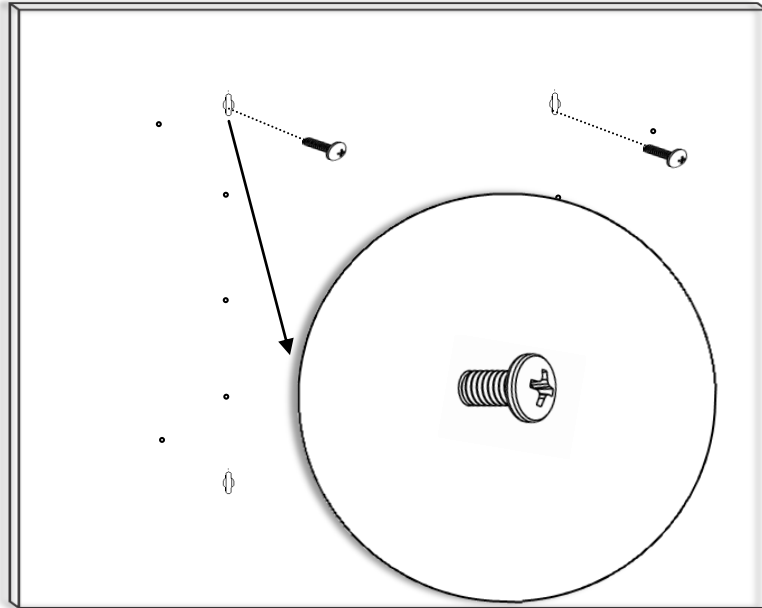
Assembly - Step 1:



- a. Using the dimensional drawing above, mark the desired placement of the mounting holes on the wall.

3

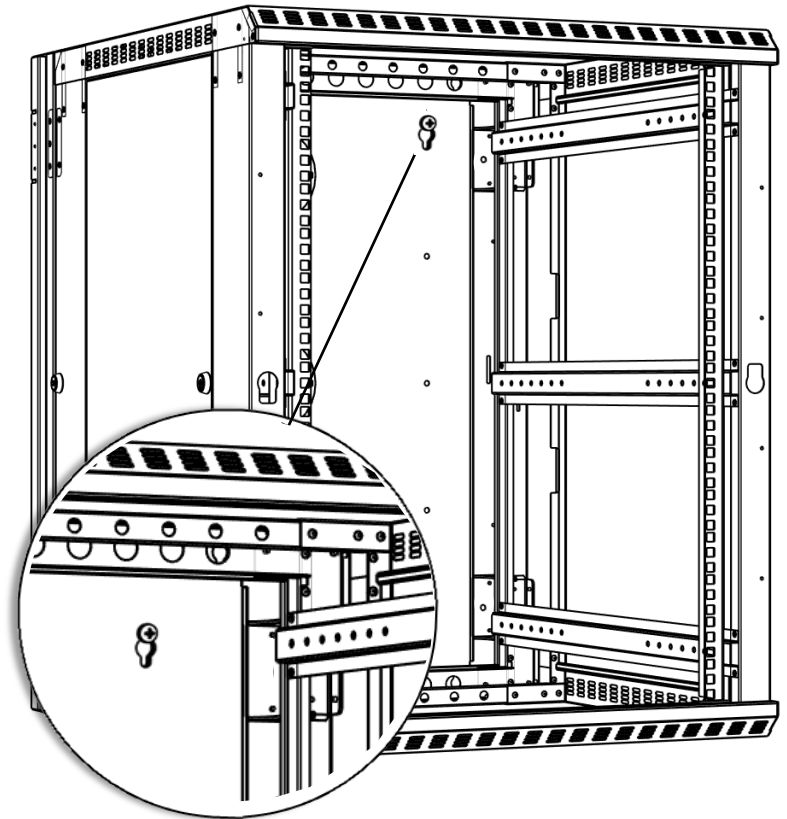
Assembly - Step 2:



- a. Install screws into the top two keyhole markings on the wall.
- b. Do not screw them all the way.

4

Assembly - Step 3:



- a. Hang the cabinet by the top two keyholes onto the screws installed in the wall.
- b. Screw in the two screws all the way into the wall.

5