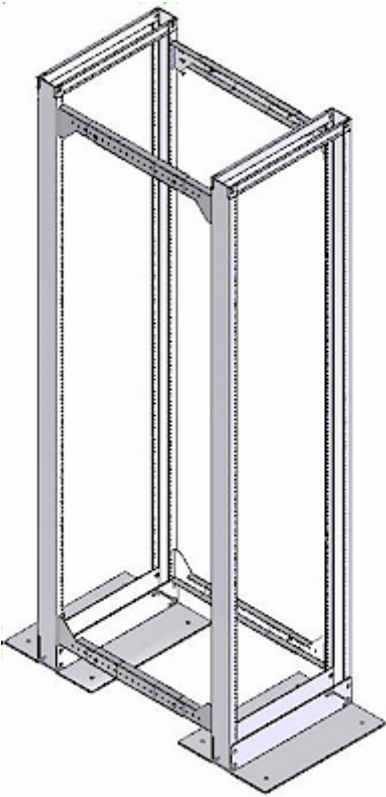


2 Post to 4 Post Conversion Kit Installation Instructions



Step 1

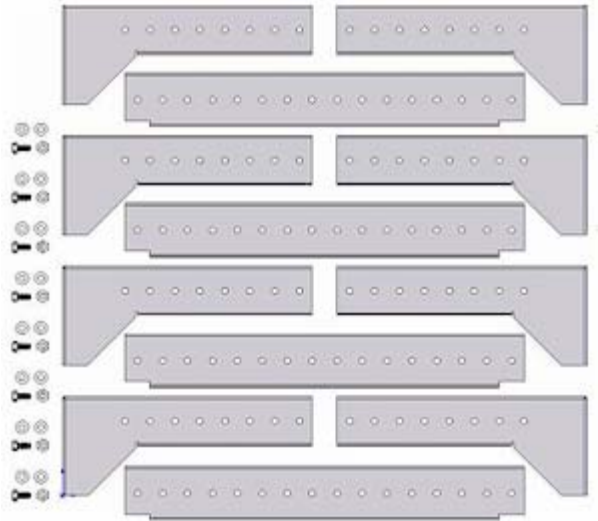
Remove all contents from the box and make sure all of the following parts are accounted for.

Box Contents

4 Center Arms
4 Left Arms
4 Right Arms
8 1/4 X 20 Bolts
8 1/4 X 20 Nuts
16 Washers
1 Instruction Sheet

Tools Required

2 1/2 wrench or sockets



Step 2

Assemble each of the 4 arm assemblies as shown. Be sure the center arm is centered on the left and right arms so the weight of the rack will be evenly distributed. In the example at the right, there are 3 holes on the left and 3 holes on the right of the center arm. A general rule of thumb: The longer you make the arm assembly, the less strength your rack will have overall. Extending the arm to its last possible position may result in your rack becoming unstable. This is also greatly dependent on the type of 2-post racks you are using. For example, a steel railed rack will be much more stable than an aluminum railed rack.

(For added strength, you may add our 2-arm kit to the center of the rack. This will greatly increase the racks overall strength.)

Step 3

Mount one arm at a time to each rack using the correct screws for your rack type, placing them at the upper and lower corners. Try to mount your conversion arms in the upper and lower most position. Because each 2-post rack is made differently, you may not be able to mount the arms at the exact bottom and/or top of your racks.

For most installations, 3 screws per arm will be sufficient. The more screws that you use to mount the arms to your 2-post racks, the stronger the overall rack will be. Each arm allows for 8 screws per side.

