

# Instructions / Directions

## Portable Rack Caster Kit

#0013-2-004-00



[www.kendallhoward.com](http://www.kendallhoward.com)



For details about product warranty, please visit [www.kendallhoward.com](http://www.kendallhoward.com)

**DISCLAIMER:** Kendall Howard LLC., referred to here as (KH), intent is to make this manual accurate and complete. However, KH makes no claim that information contained herein covers all details, conditions or variations, nor does it provide for every possible contingency in connection with the installation or use of this products. The information contained in this document is subject to change without notice or obligation. KH makes no representation of warranty, expressed or implied, regarding the information contained herein. KH assumes no responsibility for accuracy, completeness or sufficiency of the information contained in this document. ©2010 KENDALL HOWARD LLC

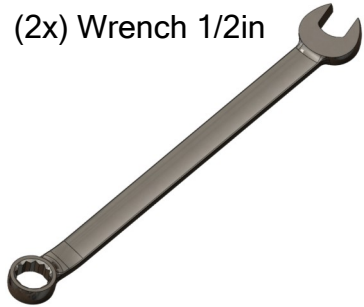
**KENDALL HOWARD**  <sup>TM</sup>  
INNOVATORS IN PRODUCT DESIGN

Address: 10152 Liberty Lane  
Chisago City, Minnesota, 55013  
United States of America

Phone: 651-213-1333  
Fax: 800-418-6897

## Tools Needed:

(2x) Wrench 1/2in



## Included:

(4x) Caster 3in with swivel plate



(16x) Nut 5/16in



(16x) Washer 5/16in Split



(16x) Washer 5/16in Flat

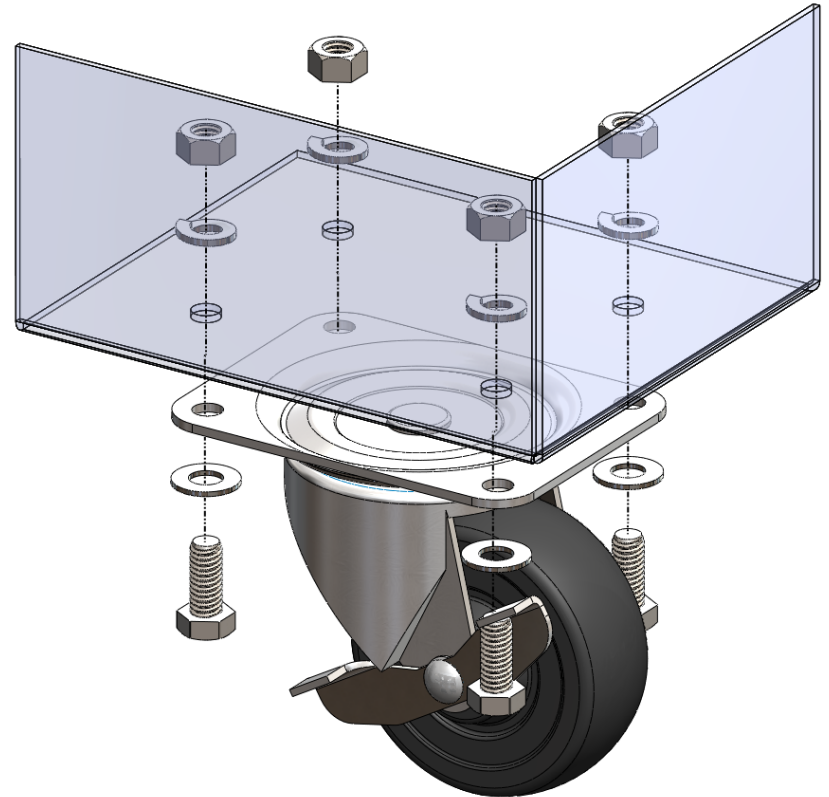


(16x) Hex Bolt 5/16in x .75in



**2**

## Assembly - Step 1:



Assemble each caster to the bottom of the rack by aligning the holes and installing hardware. Use wrenches to fully secure the nuts and bolts.

**3**